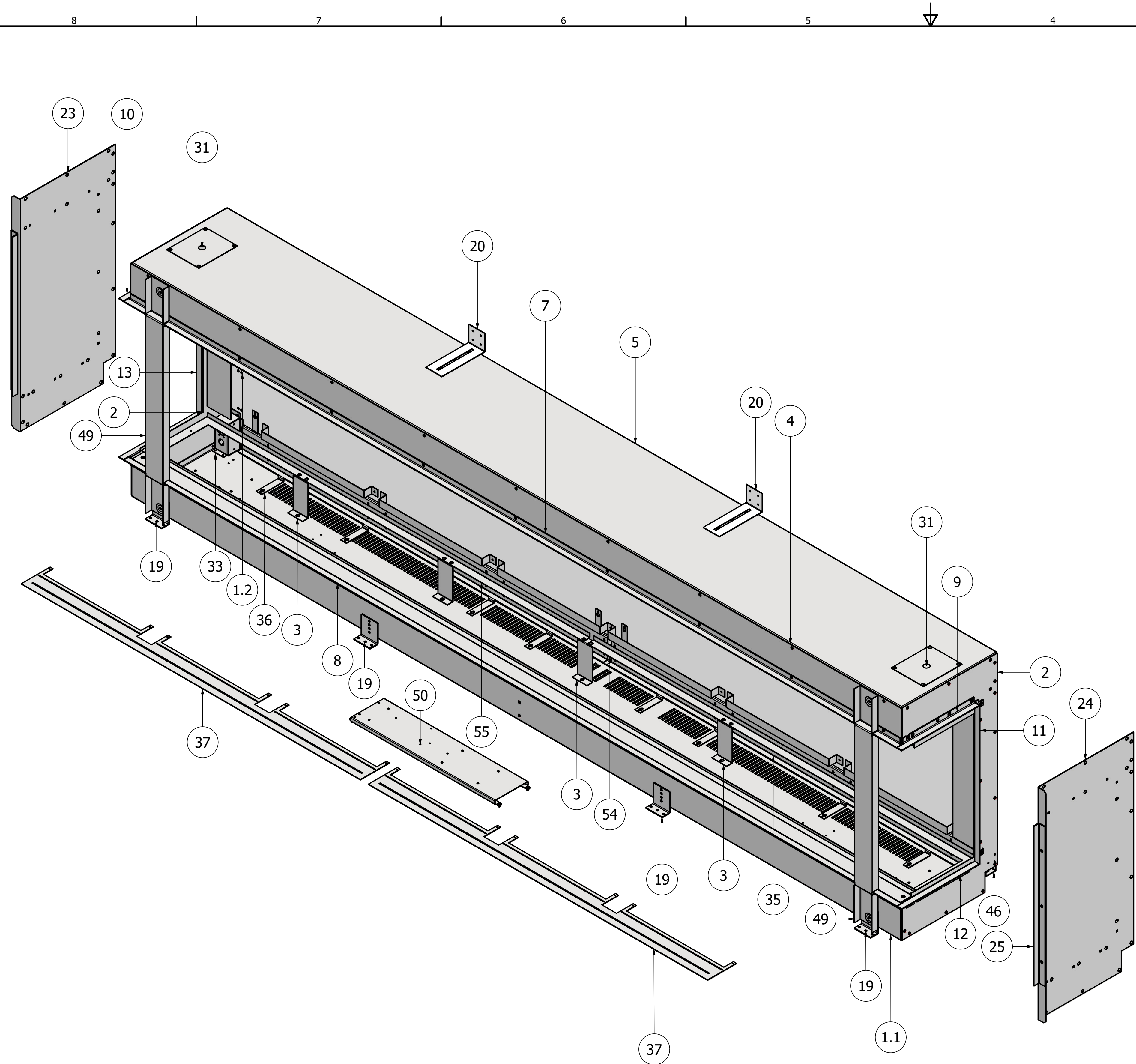
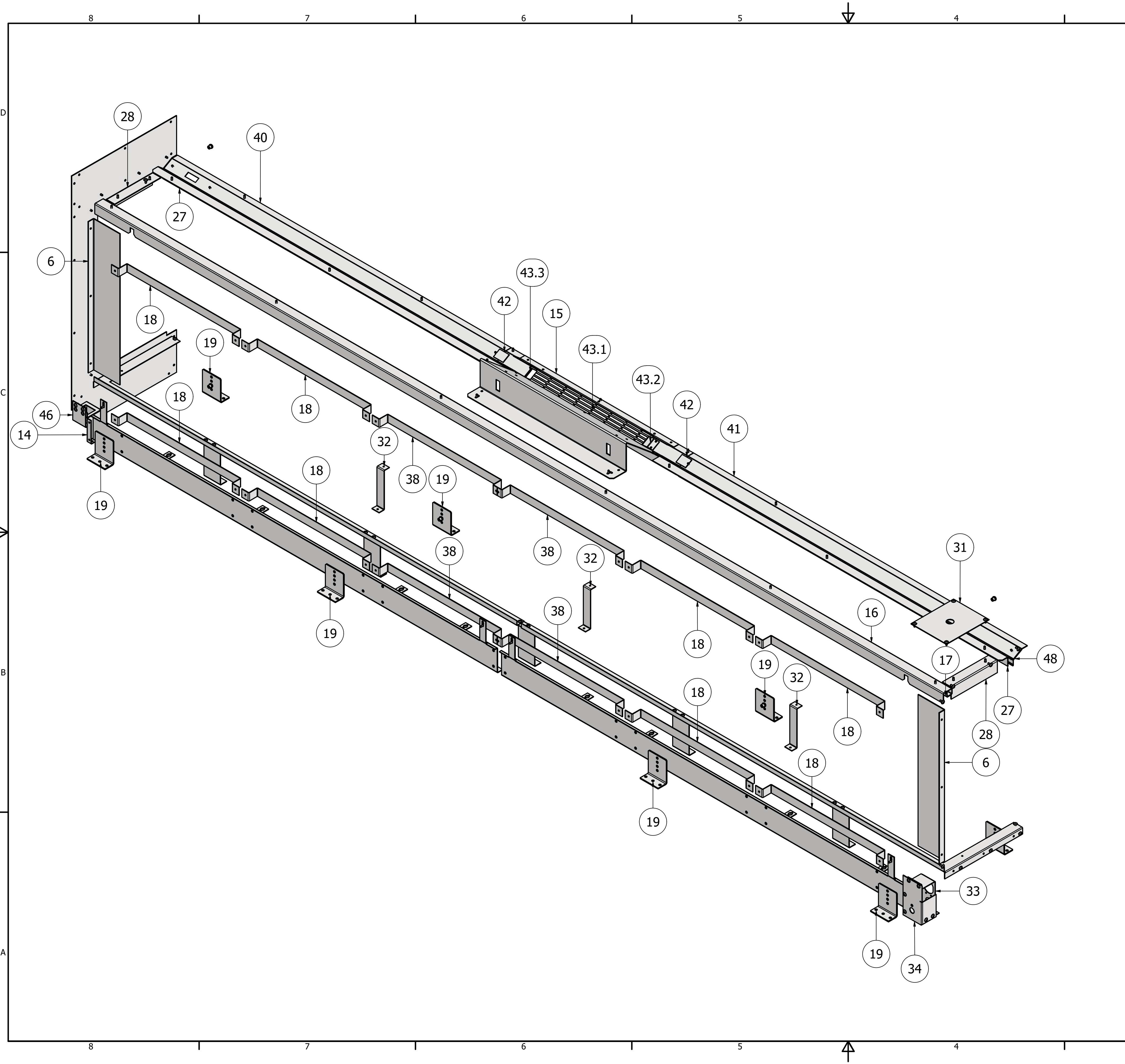


DRAWN	Luke	11/11/2021	<b>EVONIC FIRES</b>	
CHECKED			TITLE	
QA			Model: E2400 - 2021 Base Model	
MFG			Overview	
APPROVED			SIZE	DWG NO
			D	E2.4 Fire BASE Assembly v19
			SCALE 1 / 7	REV
				SHEET 1 OF 3



PARTS LIST				PARTS LIST			
ITEM	QTY	PART NUMBER	DESCRIPTION	ITEM	QTY	PART NUMBER	DESCRIPTION
1	1	E2.4 Main Case Assembly_v13		41	1	E2.4 - 36L_Rev1	
1.1	1	E2.4 - 1A_Rev13		42	2	Heater_Housing_Plate_Rev	
1.2	1	E2.4 - 1B_Rev8		43	1	Common_Heater_Housing_Asmb_Rev2	
1.3	10	Aluminium 3.2x0.8 rivet		43.1	1	Common_Heater_Housing_Rev5	
1.4	1	E2.4 - 26_Rev2		43.2	1	Common_Heater_Housing_Bracket_L	
2	2	E2.4 - 4_Rev2		43.3	1	Common_Heater_Housing_Bracket_R	
3	5	E2.4 - 9_Rev		43.5	1	Common_Heater_Housing_Back_Bar	
4	1	E2.4 - 2_Rev4		43.4	7	Aluminium 3.2x0.8 rivet	
5	1	E2.4 - 3_Rev3		44	1	E2.4 - 7_Rev2	
6	2	E2.4 - 10		45	1	E2.4 - 6_Rev4	
7	1	E2.4 - 11_Rev		46	1	Power_Lead_Bracket	
8	1	E2.4 - 32		47	1	E2.4 - 37R	
9	1	E2.4 - 12_Right_Rev2		48	1	E2.4 - 37L	
10	1	E2.4 - 12_Left_Rev2		49	2	E2400 - Transit Brace Bar	
11	1	E2.4 - 13_Right_Rev3		50	1	UNIBoard Master No Connector	
12	1	E2.4 - 14_Right_Rev2		52	16	M4 x 5.6 AVDEL CLINCH NUT	
13	1	E2.4 - 13_Left_Rev3		53	129	Aluminium 3.2x0.8 rivet	
14	1	E1000 - IEC UK		54	1	E2.4 - 8R_Rev2	
15	1	E2.4 - 18		55	1	E2.4 - 8L_Rev2	
16	1	E2.4 - 20					
17	1	E2.4 - 21					
18	8	E2.4 - 22					
19	8	E-Series Transit Bracket Type B - Revision241120					
20	2	Top Bracket					
23	1	E2.4 - 23_Left_Rev2					
24	1	E2.4 - 23_Right_Rev2					
25	1	E2.4 - 25_Right_Rev					
26	1	E2.4 - 25_Left_Rev					
27	2	E2.4 - 17_B_Rev3					
28	2	E15 - 31					
29	1	E2.4 - 14_Left_Rev2					
31	2	E2.4 - 31					
32	3	E2.4 - 33					
33	1	E2.4 - 34					
34	1	E2.4 - 35					
35	1	E2.4 - 15_Split_Right_Rev5					
36	1	E2.4 - 15_Split_Left_Rev5					
37	2	E2.4 - 30L_Rev2					
38	4	E2.4 - 22A - Cent Bars					
39	99	Screw					
40	1	E2.4 - 36R_Rev1					

DRAWN	Luke	11/11/2021	<b>EVONIC FIRES</b>	
CHECKED			TITLE	
QA			Model: E2400 - 2021 Base Model	
MFG			Parts and Locations	
APPROVED			SIZE	DWG NO
			D	E2.4 Fire BASE Assembly v19
			SCALE	1 / 5   SHEET 2 OF 3



PARTS LIST				PARTS LIST			
ITEM	QTY	PART NUMBER	DESCRIPTION	ITEM	QTY	PART NUMBER	DESCRIPTION
1	1	E2.4 Main Case Assembly_v13		41	1	E2.4 - 36L_Rev1	
1.1	1	E2.4 - 1A_Rev13		42	2	Heater_Housing_Plate_Rev	
1.2	1	E2.4 - 1B_Rev8		43	1	Common_Heater_Housing_Asmb_Rev2	
1.3	10	Aluminium 3.2x0.8 rivet		43.1	1	Common_Heater_Housing_Rev5	
1.4	1	E2.4 - 26_Rev2		43.2	1	Common_Heater_Housing_Bracket_L	
2	2	E2.4 - 4_Rev2		43.3	1	Common_Heater_Housing_Bracket_R	
3	5	E2.4 - 9_Rev		43.5	1	Common_Heater_Housing_Back_Bar	
4	1	E2.4 - 2_Rev4		43.4	7	Aluminium 3.2x0.8 rivet	
5	1	E2.4 - 3_Rev3		44	1	E2.4 - 7_Rev2	
6	2	E2.4 - 10		45	1	E2.4 - 6_Rev4	
7	1	E2.4 - 11_Rev		46	1	Power_Lead_Bracket	
8	1	E2.4 - 32		47	1	E2.4 - 37R	
9	1	E2.4 - 12_Right_Rev2		48	1	E2.4 - 37L	
10	1	E2.4 - 12_Left_Rev2		49	2	E2400 - Transit Brace Bar	
11	1	E2.4 - 13_Right_Rev3		50	1	UNIBoard Master No Connector	
12	1	E2.4 - 14_Right_Rev2		52	16	M4 x 5.6 AVDEL CLINCH NUT	
13	1	E2.4 - 13_Left_Rev3		53	129	Aluminium 3.2x0.8 rivet	
14	1	E1000 - IEC UK		54	1	E2.4 - 8R_Rev2	
15	1	E2.4 - 18		55	1	E2.4 - 8L_Rev2	
16	1	E2.4 - 20					
17	1	E2.4 - 21					
18	8	E2.4 - 22					
19	8	E-Series Transit Bracket Type B - Revision241120					
20	2	Top Bracket					
23	1	E2.4 - 23_Left_Rev2					
24	1	E2.4 - 23_Right_Rev2					
25	1	E2.4 - 25_Right_Rev					
26	1	E2.4 - 25_Left_Rev					
27	2	E2.4 - 17_B_Rev3					
28	2	E15 - 31					
29	1	E2.4 - 14_Left_Rev2					
31	2	E2.4 - 31					
32	3	E2.4 - 33					
33	1	E2.4 - 34					
34	1	E2.4 - 35					
35	1	E2.4 - 15_Split_Right_Rev5					
36	1	E2.4 - 15_Split_Left_Rev5					
37	2	E2.4 - 30L_Rev2					
38	4	E2.4 - 22A - Cent Bars					
39	99	Screw					
40	1	E2.4 - 36R_Rev1					

DRAWN	Luke	11/11/2021	<b>EVONIC FIRES</b> TITLE Model: E2400 - 2021 Base Model Parts and Locations
CHECKED			
QA			
MFG			
APPROVED			
SIZE	D	DWG NO	E2.4 Fire BASE Assembly v1.9
SCALE	1 / 4	REV	
		SHEET 3 OF 3	